

MOVO

Warnings

- Please read and follow these instructions, and keep this manual in a safe place.
- Handle the unit with care.
- Clean the unit with a soft, dry cloth.
- Use only parts provided by the manufacturer.
- Make sure everything is secure before proceeding.
- Make sure the item is intact and that there are no missing parts.
- Do not exceed the maximum load capacity.
- All photos are for illustrative purposes only.

Limited One-year Warranty

MOVO provides a limited warranty that this product is free from defects in materials and workmanship to the original purchaser under normal use for a period of one (1) year from the original purchase date or thirty (30) days after replacement (the "Warranty Period"), whichever occurs later. Our responsibility with respect to this limited warranty shall be limited solely to repair or replacement, at its option, of any product which fails during normal consumer use.

To obtain warranty coverage during the Warranty period, contact your place of purchase ("Seller") to obtain a return merchandise authorization ("RMA") number, and return to Seller the defective product along with proof of purchase and the RMA number.

This warranty does not extend to damage or failure which results from misuse, neglect, accident, alteration, abuse, improper installation or maintenance. Except as provided herein, MOVO makes neither any express warranties nor any implied warranties, including but not limited to any implied warranty of merchantability or fitness for a particular purpose. This warranty provides you with specific legal rights, and you may also have additional rights which vary from state to state.



PR-2-PM

RP-1 handheld smart grip
VXR10 universal cardioid microphone

Thank you for purchasing MOVO PR-2-PM.

Movo PR-2-PM is a kit combines a smartphone rig (PR-1) and a cardioid microphone (VXR10) you need to capture pro audio and video for your smartphone.

Instruction for VXR10

Thank you for purchasing MOVO VXR10!

The MOVO VXR10 is a cardioid microphone, which specially design to improve the sound quality of videos on the basis of build-in microphones.

With both TRS cable and TRRS output cable included, it can be used on Smartphones, cameras, camcorders, audio recorders, PCs, and other audio/video recording devices.

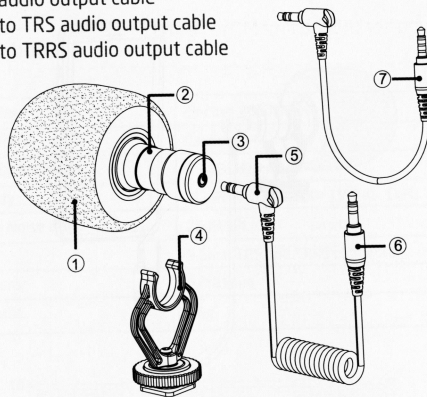
VXR10 comes out in compact size and light weight aluminium constructure , it will not be a heavy burden while shooting. Plug and play design, no need to worry the battery status. Included inside with a anti-shock mount, which can effectively reduce unwanted vibration, cable and handling noise. Also included a furry windproof shield, which specially used for minimizing the wind and environmental noise for outdoor recording , make sure the sound crystal clear.

Features

- Compact on-camera microphone
- Compatible with smartphones, DSLR cameras, Consumer Camcorders, PCs etc.
- Rugged metal construction
- No battery required
- Professional furry windshield included

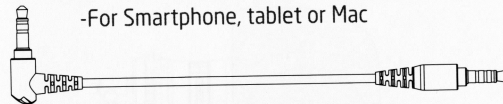
Parts List:

1. Furry windshield
2. Microphone
3. 3.5mm audio jacket
4. Shock mount
5. 3.5mm audio output cable
6. 3.5mm to TRS audio output cable
7. 3.5mm to TRRS audio output cable



What's difference?

- ① 3.5 mm TRRS connector
-For Smartphone, tablet or Mac

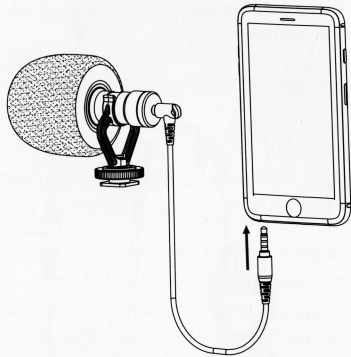


- ② 3.5 mm TRS connector
-For cameras, camcorders, audio recorders and other audio/video recording devices.



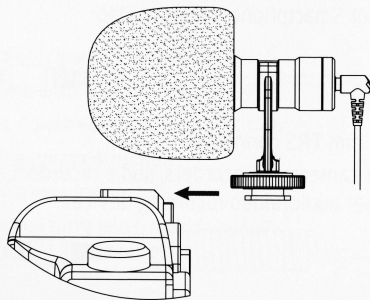
Using the microphone with a Smartphone, tablet or Mac.

1. Plug the 3.5 mm TRRS connector into the audio jack of your smartphone, tablet or Mac.
2. Open the audio-only or video recording app and begin recording.



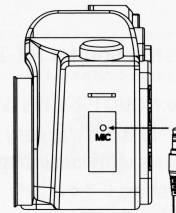
Using the microphone with cameras, camcorders, audio recorders and other audio/video recording devices.

1. Lock the microphone on the camera hot shoe



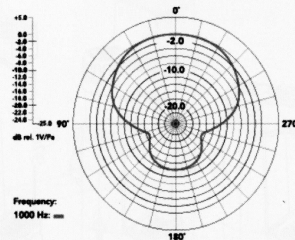
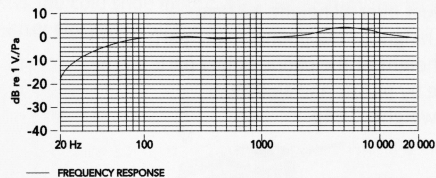
4

2. Plug the 3.5 mm TRS connector into the audio input jack of your device (audio recorder, amplifier, PC, laptop).



Specifications

Transducer:	Electret Condenser
Polar pattern:	Cardioid
Frequency Response:	35-18KHz +/-3dB
Sensitivity:	-42dB +/- 1dB / 0dB=1V/Pa, 1kHz
Signal to Noise Ratio:	76dB SPL
Plug:	3.5mm TRS and TRRS connector
Dimensions:	22*81mm
Net Weight	86g



5

Instruction for PR-1

The MOVO PR-1 is a universal design that fits smartphones from 2.2" to 3.6", it is easy to grip padded handle (removable) assists with stabilizing your video & alleviating fatigue while shooting.

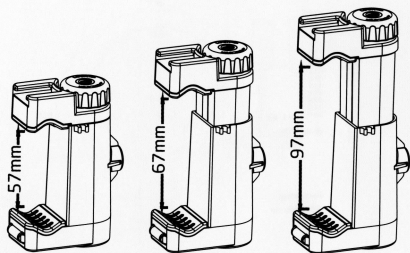
Features:

- Small, compact, easy to use and carry
- Adjustable height
- Holds your device tightly
- An ultimate tool for serious smartphone photography
- Compatible with virtually any smartphone model
- Can be used as a Tripod Mount, Filmmaker Grip, and Traveler Stand
- Made for avid smartphone photographers, filmmakers, journalists, sportsmen and travelers

Specifications:

1. Product overall height: 12.9cm
2. Max height of the phone holder part: 9.7cm
3. Min height of the phone holder part: 5.7cm
4. Made by plastic and aluminum
5. Net weight: 164g

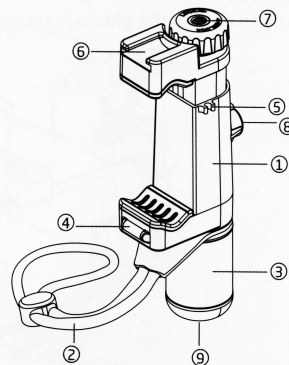
Adjustable height for different phone sizes



6

Components:

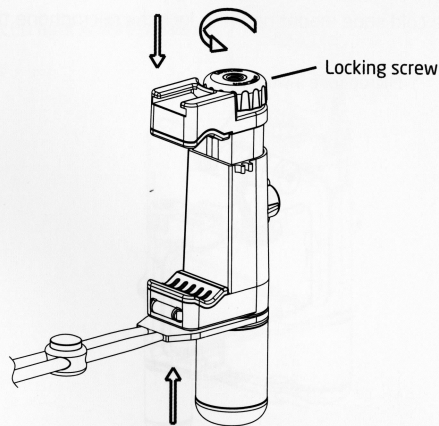
1. Main Body
2. Hand strap
3. Hand grip
4. Bubble level
5. Cable fix slot
6. Cold shoe mount
7. 1/4" screw thread
8. 1/4" screw thread
9. 1/4" screw thread



Start To Use:

Step 1:

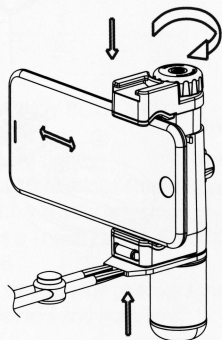
Press the cold shoe mount, meanwhile turn the locking screw counter clockwise till the height is suitable for your phone.



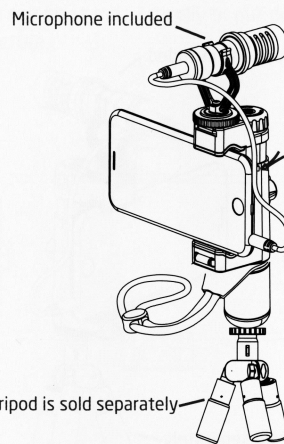
7

Step 2:

Insert your phone to the holder, press the cold shoe mount and meanwhile turn the locking screw clockwise to lock the holder tightly to ensure the phone is secured. It is ready to use now.

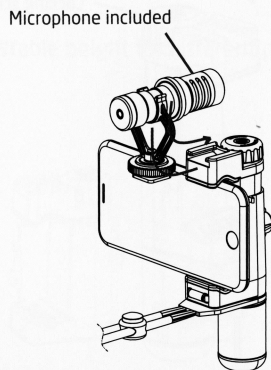


2. Mount PR-1 to a tripod with the built in 1/4 screw thread at the bottom of the hand grip.

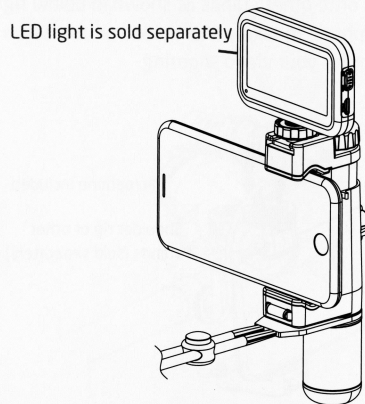


Optional: Use PR-1 with other accessories

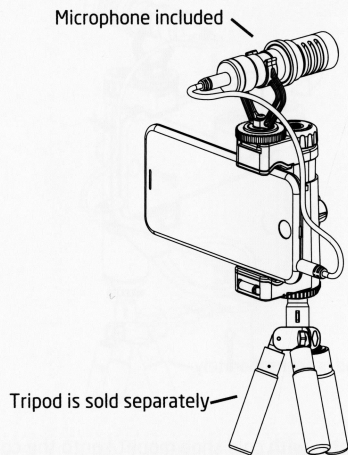
1. Mount an external microphone (with cold shoe mount) onto the cold shoe mount on PR-1, lock the microphone tightly.



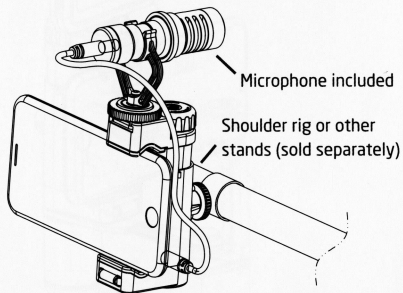
3. Mount LED light (with cold shoe mount) onto the cold shoe mount on PR-1, lock the LED light tightly



4. Remove the hand grip, PR-1 can be mounted onto the tripod with the built in 1/4" screw at the bottom of the phone holder.



5. With 1/4" screw thread built at the back, PR-1 can be mounted onto other stands as shown in below figure to use your phone to take a short video or use it as a live view monitor for your video shooting.



Use PR-1 as a stand

Remove the hand grip, PR-1 can be used as a stand for your phone which can stand vertically or put down as shown in the below picture.

